

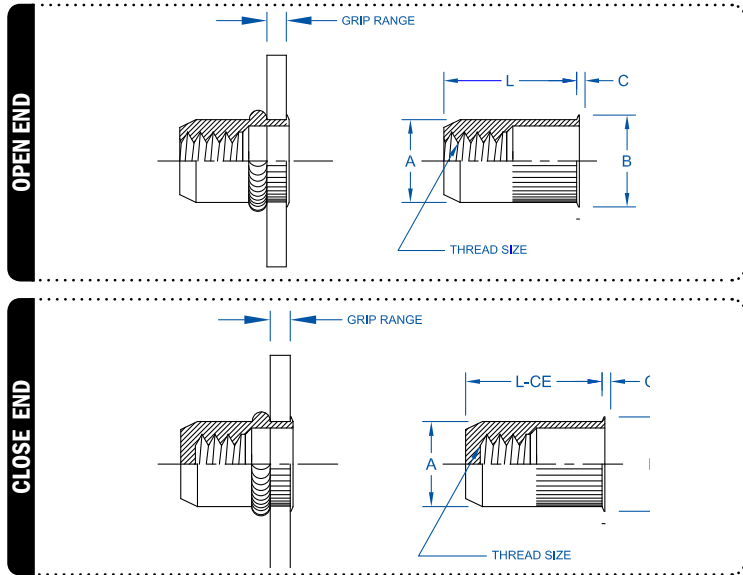
# IKR SERIES® REDUCED HEAD - KNURLED BODY

THINWALL AMERICAN STANDARD RIVETNUTS

RIVETNUT RIVETS



The RivetKing IKR Series is a thinwall Rivetnut with a reduced head. Its design is such that spin/spin tools can easily collapse and properly set the rivet nut. The reduced head provides for a completely flush installation in the sheet metal. Spin-Spin or Spin-Pull tools can be used to apply IKF series rivetnuts.



INCH									
PART CODE	THREAD SIZE	GRIP CODE	GRIP RANGE	L LENGTH +/- .015	L-CE LENGTH +/- .015	B HEAD DIA +/- .010	C HEAD HT +/- .003	A BODY DIA MAX	HOLE SIZE +.006/- .000
6C1IKR	6-32 UNC	#1	.020 - .080	.420	.740	.310	.019	.265	.266
6C2IKR	6-32 UNC	#2	.080 - .130	.470	.740	.310	.019	.265	.266
8C1IKR	8-32 UNC	#1	.020 - .080	.420	.740	.310	.019	.265	.266
8C2IKR	8-32 UNC	#2	.080 - .130	.470	.740	.310	.019	.265	.266
10C1IKR	10-24 UNC	#1	.020 - .130	.475	.990	.340	.019	.296	.297
10C2IKR	10-24 UNC	#2	.130 - .225	.585	.990	.340	.019	.296	.297
10F1IKR	10-32 UNF	#1	.020 - .130	.475	.990	.340	.019	.296	.297
10F2IKR	10-32 UNF	#2	.130 - .225	.585	.990	.340	.019	.296	.297
25C1IKR	1/4-20 UNC	#1	.027 - .165	.580	1.190	.455	.022	.390	.391
25C2IKR	1/4-20 UNC	#2	.165 - .260	.680	1.190	.455	.022	.390	.391
25F1IKR	1/4-28 UNF	#1	.027 - .165	.580	1.190	.455	.022	.390	.391
25F2IKR	1/4-28 UNF	#2	.165 - .260	.680	1.190	.455	.022	.390	.391
31C1IKR	5/16-18 UNC	#1	.027 - .150	.690	1.390	.595	.022	.530	.531
31C2IKR	5/16-18 UNC	#2	.150 - .312	.805	1.390	.595	.022	.530	.531
31F1IKR	5/16-24 UNF	#1	.027 - .150	.690	1.390	.595	.022	.530	.531
31F2IKR	5/16-24 UNF	#2	.150 - .312	.805	1.390	.595	.022	.530	.531
37C1IKR	3/8-16 UNC	#1	.027 - .150	.690	1.390	.595	.022	.530	.531
37C2IKR	3/8-16 UNC	#2	.150 - .312	.805	1.390	.595	.022	.530	.531
37F1IKR	3/8-24 UNF	#1	.027 - .150	.690	1.390	.595	.022	.530	.531
37F2IKR	3/8-24 UNF	#2	.150 - .312	.805	1.390	.595	.022	.530	.531

THE PART NUMBER IS COMPLETE BY ADDING THE MATERIAL AND FINISH CODES AS A SUFFIX TO THE PART CODE:

MATERIAL/FINISH CODES: SY = STEEL, ZINC YELLOW ROHS †  
 SZ = STEEL, ZINC CLEAR ROHS  
 SC = STEEL, CAD YELLOW PLATED  
 AP = ALUMINUM, PLAIN †  
 3P = 18-8 STAINLESS STEEL, PLAIN †

EXAMPLE:  
 Part Code 6C1ISR in Steel,  
 Zinc Yellow Plating is... 6C1ISRSY

† Indicates stocked configurations

