

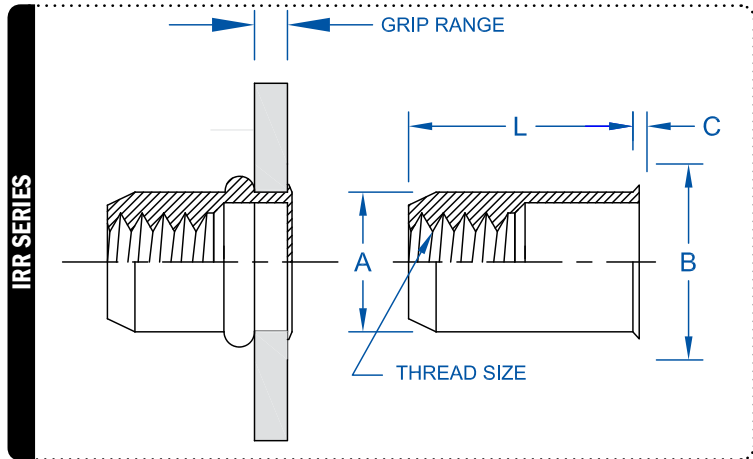
IRR SERIES™ REDUCED HEAD - SMOOTH BODY

THINWALL AMERICAN STANDARD RIVET NUTS • FOR STANDARD HOLE SIZES

RIVETNUTS



The RivetKing IRR Series is a thinwall insert that has been designed specifically for convenience. Often the holes of hardware are pre-drilled or pre-punched to a standard hole size. This may cause difficulties with traditional rivetnuts which require an off-standard hole diameter. The IRR series have been produced to fit in common hole sizes that may be found in pre-designed hardware and assemblies.



INCH	PART NUMBER	THREAD SIZE (INCH)	GRIP RANGE	LENGTH +/- .015	HEAD DIA +/- .010	HEAD HEIGHT +/- .003	BODY DIA. MAX.	HOLE SIZE +.006/- .000
		6C1IRR	6-32 UNC	.020-.080	.385	.295	.018	.249
	8C1IRR	8-32 UNC	.020-.080	.385	.295	.018	.249	.250
	10C1IRR	10-24 UNC	.020-.130	.440	.320	.020	.280	.281
	10F1IRR	10-32 UNC	.020-.130	.440	.320	.020	.280	.281
	25C1IRR	1/4-20 UNC	.030-.165	.580	.425	.022	.374	.375
	25F1IRR	1/4-28 UNF	.030-.165	.580	.425	.022	.374	.375
	31C1IRR	5/16-18 UNC	.040-.200	.690	.560	.022	.499	.500
	31F1IRR	5/16-24 UNF	.040-.200	.690	.560	.022	.499	.500
	37C1IRR	3/8-16 UNC	.040-.200	.690	.560	.022	.499	.500
	37F1IRR	3/8-24 UNF	.040-.200	.690	.560	.022	.499	.500

METRIC	PART NUMBER	THREAD SIZE (METRIC)	GRIP RANGE	LENGTH +/- .4	HEAD DIA +/- .25	HEAD HEIGHT +/- .1	BODY DIA. MAX.	HOLE SIZE +.05/- 0
		.30C1IRR	M3	0.50 - 1.50	8.70	5.40	0.30	4.92
	.40C1IRR	M4	0.50 - 2.00	10.40	6.70	0.30	6.30	6.40
	.50C1IRR	M5	0.50 - 3.00	11.50	7.90	0.40	7.10	7.20
	.60C1IRR	M6	0.70 - 3.00	14.50	10.20	0.40	9.50	9.60
	.80C1IRR	M8	0.80 - 4.50	16.00	11.30	0.40	10.50	10.60

THE PART NUMBER IS COMPLETE BY ADDING THE MATERIAL AND FINISH CODES AS A SUFFIX TO THE PART CODE:

MATERIAL/FINISH CODES: SY = STEEL, ZINC YELLOW ROHS †
 SZ = STEEL, ZINC CLEAR ROHS
 SC = STEEL, CAD YELLOW PLATED
 AP = ALUMINUM, PLAIN †
 3P = 18-8 STAINLESS STEEL, PLAIN †

EXAMPLE:
 Part Code 6C1IRL in Steel,
 Zinc Yellow Plating is... 6C1IRLSZ

† Indicates stocked configurations

