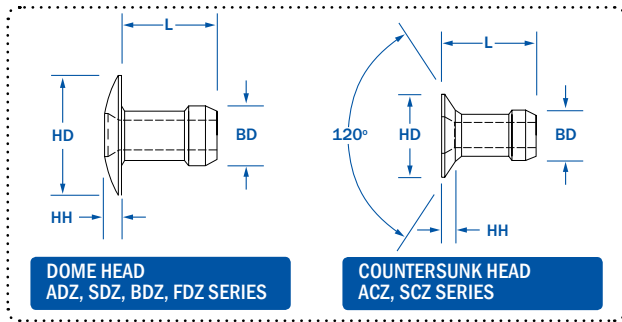
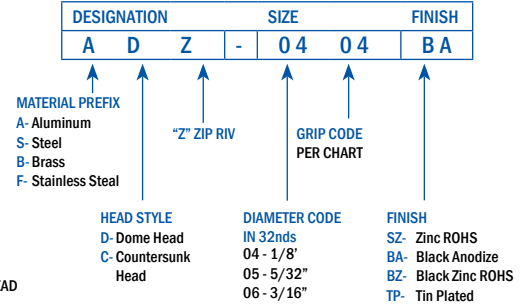


Extensively used in sheet metal fabrication, ZipRiv® offers a high clamp up to steel, brass, aluminum and some plastic substrates. The ZipRiv® can be identified by its bulge towards the tail of the rivet. Offered in dome and countersunk head styles in a variety of materials and finishes.



### BUILDING A ZIPRIV PART NUMBER



	PART NUMBER	GRIP RANGE	LENGTH LENGTH MAX.	PCS/ POD PCS/ POD +/-1	HOLE SIZE		BD BODY DIA MAX	HD HEAD DIA MAX	HH HEAD HEIGHT MAX	
					MIN	MAX				
<b>DOMES HEAD</b>	3/32" (2.4)	(X)DZ - 0304	.045-.095 (1.14-2.42)	.157 (3.98)	64	.093 (2.36)	.096 (2.44)	.0923 (2.35)	.162 (4.30)	.035 (0.89)
		(X)DZ - 0306	.085-.135 (2.15-3.43)	.197 (5.00)	52					
		(X)DZ - 0308	.125-.175 (3.17-4.45)	.237 (6.02)	44					
	1/8" (3.2)	(X)DZ - 0403	.025-.075 (0.64-1.91)	.152 (3.86)	59	.1285 (3.26)	.1315 (3.34)	.1235 (3.14)	.257 (6.60)	.039 (0.99)
		(X)DZ - 0404	.045-.095 (1.14-2.42)	.172 (4.37)	58					
		(X)DZ - 0405	.065-.115 (1.65-2.87)	.192 (4.87)	50					
		(X)DZ - 0406	.085-.135 (2.15-3.43)	.212 (5.39)	48					
		(X)DZ - 0408	.125-.175 (3.17-4.45)	.252 (6.41)	42					
		(X)DZ - 0410	.165-.215 (4.19-5.47)	.292 (7.42)	37					
		(X)DZ - 0412	.215-.255 (5.20-6.48)	.332 (8.44)	33					
	5/32" (4.0)	(X)DZ - 0414	.245-.295 (6.22-7.50)	.372 (9.45)	29	.1562 (3.97)	.1592 (4.04)	.1525 (3.88)	.332 (8.30)	.039 (0.99)
		(X)DZ - 0505	.062-.115 (1.57-2.93)	.193 (4.91)	52					
		(X)DZ - 0507	.105-.155 (2.66-3.94)	.233 (5.92)	44					
		(X)DZ - 0509	.145-.195 (3.68-4.96)	.273 (6.94)	39					
		(X)DZ - 0511	.185-.235 (4.69-5.97)	.313 (7.95)	34					
		(X)DZ - 0513	.225-.275 (5.71-6.99)	.353 (8.97)	31					
		(X)DZ - 0515	.265-.315 (6.73-8.00)	.393 (9.98)	26					
	3/16" (4.8)	(X)DZ - 0606	.065-.130 (1.65-3.30)	.212 (5.39)	46	.191 (4.85)	.194 (4.93)	.1875 (4.77)	.382 (9.80)	.046 (1.17)
		(X)DZ - 0607	.080-.155 (2.03-3.94)	.240 (6.10)	42					
		(X)DZ - 0609	.145-.205 (3.68-5.21)	.290 (7.37)	35					
(X)DZ - 0611		.195-.255 (4.95-6.48)	.340 (8.64)	31						
(X)DZ - 0613		.245-.305 (6.22-7.75)	.390 (9.91)	27						
(X)DZ - 0615		.295-.355 (7.49-9.02)	.440 (11.18)	24						
(X)DZ - 0617		.345-.405 (8.76-10.29)	.490 (12.45)	22						
(X)DZ - 0619	.395-.455 (10.03-11.56)	.530 (13.46)	20							
<b>COUNTERSUNK HEAD</b>	1/8" (3.2)	(X)CZ - 0404	.057-.067 (1.45-1.70)	.165 (4.19)	72	.1285 (3.26)	.1315 (3.34)	.1245 (3.17)	.230 (5.50)	0.027 (0.74)
		(X)CZ - 0405	.050-.090 (1.27-2.29)	.170 (4.32)	72					0.029 (0.69)
		(X)CZ - 0406	.060-.110 (1.52-2.79)	.188 (4.77)	64					0.03 (0.76)
		(X)CZ - 0407	.100-.150 (2.54-3.81)	.228 (5.79)	52					
		(X)CZ - 0408	.140-.190 (3.56-4.83)	.268 (6.81)	44					
		(X)CZ - 0410	.180-.230 (4.57-5.84)	.308 (7.82)	38					0.04 (1.02)
		(X)CZ - 0411	.220-.270 (5.59-6.86)	.348 (8.84)	33					
	5/32" (4.0)	(X)CZ - 0505	.062-.115 (1.57-2.93)	.204 (5.18)	59	.1562 (3.97)	.1592 (4.04)	.1535 (3.90)	.240 (6.50)	
		(X)CZ - 0506	.086-.135 (2.15-3.43)	.224 (5.69)	54					
		(X)CZ - 0507	.105-.155 (2.66-3.94)	.244 (6.19)	49					
		(X)CZ - 0509	.145-.195 (3.68-4.96)	.284 (7.21)	42					
		(X)CZ - 0511	.185-.235 (4.69-5.97)	.324 (8.22)	36					
		(X)CZ - 0513	.225-.275 (5.71-6.99)	.364 (9.24)	32					

NOTE: SHEAR AND TENSILE DATA VARIES BASED ON HOLE SIZE, ACTUAL GRIP AND SUBSTRATE MATERIAL SELECTION. FOR REFERENCE DATA PLEASE CONTACT THE ENGINEERING DEPARTMENT. FOR CRITICAL APPLICATIONS, WE SUGGEST OUR ENGINEERING DEPARTMENT PERFORM TESTING ON THE ACTUAL MATERIALS TO BE RIVETED. RESULTING DATA WILL BE PROVIDED UPON REQUEST.

METRIC DIMENSIONS ARE IN PARENTHESIS

